

Efficiently route secure GPS data to multiple devices.

GPS and Systems Integration

Integrate secure GPS enabled equipment on a military ground platform with one device - GLI-FLO-G. One GLI-FLO-G serves IS-GPS-153 PNT data simultaneously to multiple communication or weapon systems that require GPS information. It is a smart GPS router that is conveniently placed in the same bracket used by the DAGR, utilizing standard DAGR accessories.

Already have a DAGR?

GLI-FLO is also available in a low-cost non-GB-GRAM version that can be tethered to a single DAGR and will still route secure PNT data to multiple devices.

Advantages

- One GLI-FLO will multiply by four the AN/PSN-13A output data in a mounted platform application
- Saves space, weight and power (SWaP)
- Reduces cost by eliminating multiple DAGRs and/or GB-GRAM cards in a vehicle or rotocraft
- Zero Impact to Subscriber Application Software/Hardware
- No need to rely on expensive GB-GRAMS in each LRU
- Includes easy to use configuration software

Compatible With All Applicable DAGR Accessories

- RA-1 / RA-2 Antennas
- Antenna and Power Cables
- Crypto Variable Fill Cable
- All Serial Interface Cables
- Fits DAGR Mount



GLI-FLO-G

GPS PNT Distribution Hub



Interface Options

Inputs: 4

- J1 - SINCGARS / Key Fill
- J2 - DAGR INPUT
- J2-1 thru J2-4 DAGR Compatible Interfaces
- J3 - Antenna Input
- J4 - 28 VDC Vehicle Power Input
- J5 - 6 pin Key Fill

Outputs: 4 ea. RS-232 and 4 ea. RS-422 Serial Ports, (Equivalent to DAGR J2)*

Form Factor: DAGR Mount

- All interfaces Compatible to DAGR J1 & J2 Connectors

*8 Outputs when connecting to both COM1 and COM2 using custom cabling.

Export of GPS Source products may be subject to U.S. Export Controls, U.S. Export license may be required.

Electrical Input:

28VDC Operating Input Voltage

Range: 9V-32V

Antenna Load Current Range: 2-70 mA

Current: 200mA max (assumes 250mA Type II GB-GRAM)

Supports MIL-STD-704G OR MIL-STD-1275D

Electrical Output:

Antenna Output Voltage: 3.3V

Interfaces:

J2-1, J2-2, J2-3, J2-4 ports support both standard TIA/EIA-232 (COM1) serial data ports and standard TIA/EIA-422 (COM2) serial data ports

4 Timing Interfaces Available (8 with Custom Cabling):

1 PPS input

1 PPS UTC, 1PPS T-Mark and 10 PPS output

HAVEQUICK output

One SINCGARS mode 3 interface

DS-101/DS-102 key loading input

Embedded GPS Receiver

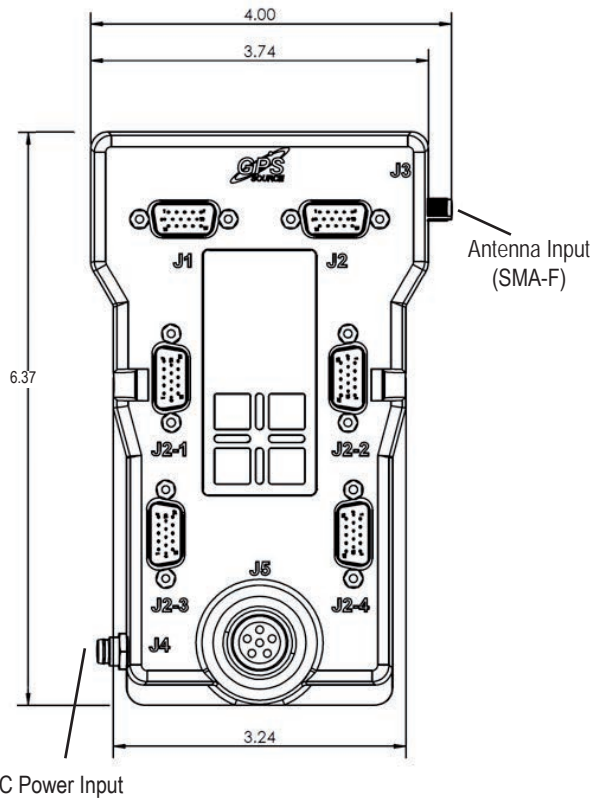
(See MIL-PRF-GB-GRAM-300A for details.)

Dual Frequency:

L1/L2 dual frequency tracking

L1 - C/A, P(Y)

L2 - P(Y)



Embedded GPS Receiver

(See MIL-PRF-GB-GRAM-300A for details.)

Dual Frequency:

L1/L2 dual frequency tracking

L1 - C/A, P(Y)

L2 - P(Y)

Physical Specifications:

Total Weight: 1 lb.

Overall Size: 3.74 in x 6.37 in x 1.64 in

Fits within envelope of DAGR in DAGR Installation Mount

Compatibility:

ICD-GPS-153

NMEA-0183 input/output

Environmental:

Operating Temp: -40°C to +70°C

Humidity: 95% Per MIL-STD-810, Method 507.5 Proc. II

Vibration: Per MIL-STD-810, Method 514.6, Proc. I

Altitude: -400m to 3,048m MSL

Crash Safety Shock: 75 g's Per MIL-STD-810G, Method 516.6, Proc. V

Functional Shock: 40 g's Per MIL-STD-810G, Method 516.6, Proc. I

Sand and Dust: Per MIL-STD-810G, Method 510.5, Proc. I & II



www.gpssource.com