

## DS 56 GPS L1 / Glonass Antenna - active / passive

### Description:

The DS56 is a cost-efficient GPS/GLONASS- Antenna for stationary or mobile application.

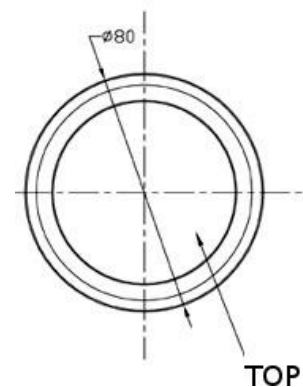
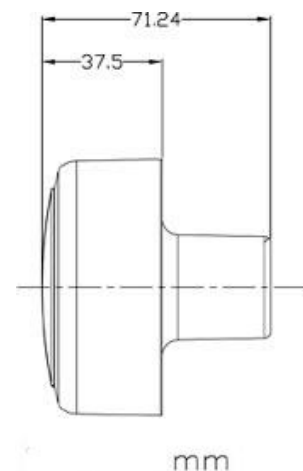
This antenna is available in active or passive version. It can be used as an reception or sending antenna.

A weather proofed housing to IP 66 protects the antenna from splash water and dust.

The delivery includes an high quality antenna socket made from stainless steel.



### DS 56



### Technische Daten:

Product No.:	DS-56-A (active), DS-56-P (passive)
Frequency:	1575 MHz/1602 MHz
Gain:	27 dB(DS-56-A)
Antenna Gain:	4 dBic @1575 MHz/1602-1616 MHz
Polarization:	R.H.C.P. (Right Handed Circular Pol.)
Noise Figure:	1.5 dB
VSWR Output:	2.0 : 1 max.
Power Supply:	3- 5 V DC
Current Consumpt.:	18 mA +/- 3 mA
Impedance:	50 Ohm
Dimension:	Ø 80 mm x 71 mm
Mounting Options:	TNC- f
Environment Cond.:	splash water proofed, IP66
Temperature Range:	- 35 ° ~ + 85 ° C
Vibration:	up to 10 G max.