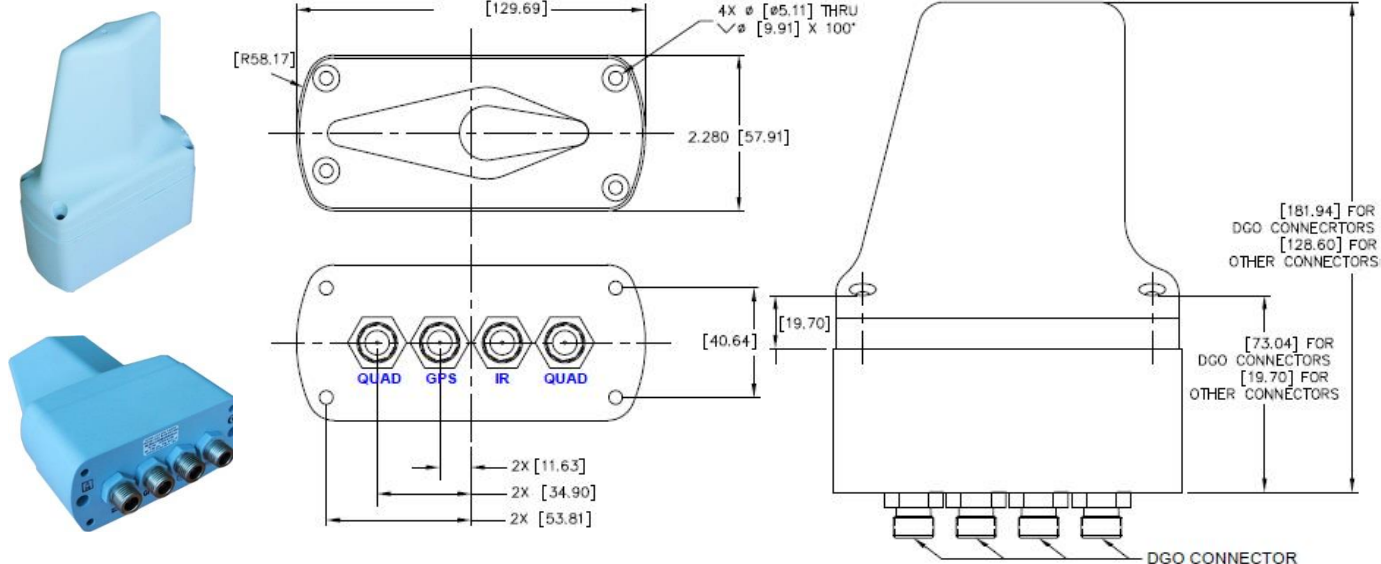


Active L1+L2 / Passive Iridium / Dual Quad-Band

Submarine antenna / Type: 5BGL1L2IR2WB-AP3

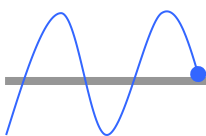


Features:

- Multifunctional antenna for GPS, Iridium and Quad-Band (GSM) application
- Powerful 33-35 dB Low-Noise-Amplifier
- Efficient hydrodynamic characteristics
- Saltwater resistant due to Teflon finish
- Pressure resistance up to 300 bar

Description:

This ruggedized multifunctional antenna is designed for naval operation and harsh environmental conditions. A good signal reception for GPS, Iridium- and Quad-Band communication systems on board is guaranteed. The high-tech housing is designed also for submarine operations. The shape provides good hydrodynamic characteristics and a teflon finish protects the antenna against harms from saltwater. Submarine operations up to 3000 m depth (300 bar max.) are possible. The total antenna gain for GPS L1 and L2 is 33-35 dB, so signal reception is possible even under harsh conditions. High pressure resistant DGO connectors are built in as standard. Other connector types are available, see options for further information.



Active L1+L2 / Passive Iridium / Dual Quad-Band

Submarine antenna / Type: 5BGL1L2IR2WB-AP3

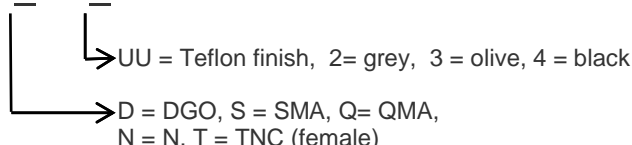
Technical Data:

	L1 GPS	L2 GPS	Iridium	GSM, ISM, WLAN, RFID, Cellular	PCS, 802.11b+g, WIFI, Bluetooth, Hotspot	802.11a, WIFI, ISM
Frequencies:	1575 ± 17 MHz	1227.60 ± 15 MHz	1610 – 1626 MHz	UHF 810 – 960 MHz	L / S - Band 1610 - 1850 - 2400 – 2500 MHz	C – Band 4400 – 5850 MHz
Beam width:	114°	106°	180°	-		
Antenna gain (dBic) @Zenith	+4.7	+3.3	+0.1	> 3 dB		
Rejection:	-41 dB / -59 dB (-50 / +50 MHz)	-40 dB / -40 dB (-50 / +50 MHz)	-			
Gain:	33 dB		35 dB	-		
Radiation Pattern:	Hemispherical			Omnidirectional		
Polarization:	RHCP (Right Handed Circular Polarization)			Vertical		
VSWR Output:	max. 2:1					
LNA Noise Figure	3 dB		-			
LNA P1dB Out:	13 dBm		-			
Power Supply:	2.5 – 24 Volt DC					
Current Consumption:	20 – 50 mA (2,5V = 20mA, 3V = 29, 3.3V = 35 mA)					
Power Handling:	1 Watt CW, 2000 max. 1 Microsec Pulse					
Impedance:	50 Ohm					
Material:	Alluminium alloy base with Teflon finish or Polyurethane finish					
Weight:	ca. 1000 g					
Depth:	3000 m max.					
Pressure:	300 bar max.					
Environment:	Hermetically sealed / uv resistend / flame retardant / abrasion / saltwater resistant					
Operation temperature:	-55 ° C ~ + 85 ° C					

Options:

Part number structure: 5BGL1L2IR2WB-AP3 - X X 4- X

e.g.: 5BGL1L2IR2WB-AP3-XD4-UU =
DGO female, Teflon finish



Connector types:	DGO-f / QMA-f / TNC-f / SMA-f / N-f (-xDx-x / -xQx-x / -xTx-x / -xSx-x / -xNx-x)
Finish / Colors:	Teflon finish, white, olive, black (-xxx-UU / -xxx-1 / -xxx-3 / -xxx-4)
Dimensions:	ca. 182 (H) x 130 (B) x 580 (T) mm
Lightning Protection:	DC Grounding

S. 2 5BGL1L2IR2WB-AP3 31028090 [Do you have any questions to this product? Contact us:](#)

AuCon GmbH
www.aucon.de / info@aucon.de
Hohenlindener Str. 1 / D-81677 München
Phone: +49 (0)89-910 598 68
Fax: +49 (0)89-910 599 26