

A11 – GNSS Amplifier

Description:

Designed with the thin link margins of satellite navigations systems in mind, the A11 amplifier is a single stage gain block that covers GPS, Galileo and Glonass frequencies.

The device features 30dB of gain and a noise figure of less than 1.8 dB. The product may be powered by the GPS receiver's antenna voltage output.

Regardless of input power configuration, the A11 can provide a DC voltage output to power an active antenna.

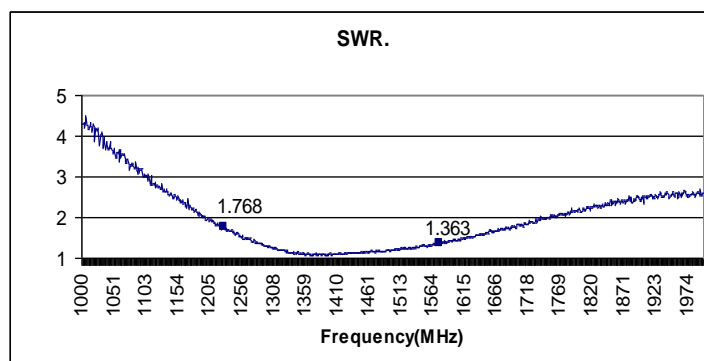
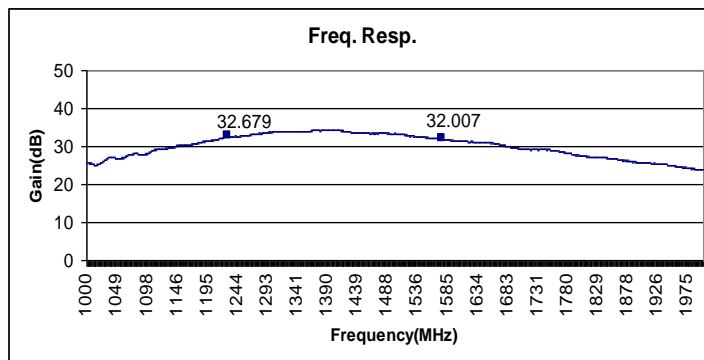
The A11 comes with many available options to meet your specific needs. See options for more informations.

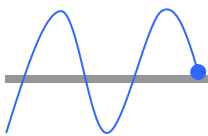


A11 / A11M / A11T

Features:

- Covers GPS L1 / L2, Glonass L1 /L2, Galileo
- Excellent Gain Flatness = $F < 1.8$ dB
- Excellent Gain $G = 30$ dB
- Optional variable gain
- Three different housing sizes
- Many options available





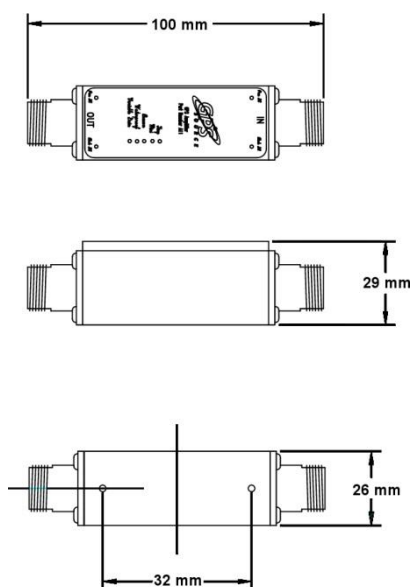
A11 – GNSS Amplifier

ELECTRICAL SPECIFICATIONS

> Input/Output Impedance	50 Ω
> Frequency	1 – 2 GHz
> Gain	30 dB (typ.)
variable Option	0 – 30 dB
> SWR Input / Output	2.0 : 1
> Gain Flatness	2 dB max.
> Noise Figure	1.8 dB
> Group Delay	1 ns
> Reverse Isolation	30 dB
> Thru Current	250 mA max.
> Max. RF Input	10 dBm
> DC at Input / Output port	16 V DC max.

PHYSICAL SPECIFICATION

> RF ports	
Input	1
Output	1
> Operating Temperature	-40 to 85°C
> Standard Housing	
Dimensions (W x H x D)	101 x 33 x 92 mm
Weight	~ 275 g
> Mini Housing	
Dimensions (W x H x D)	101 x 29 x 26 mm
Weight	~ 110 g
> Tiny Housing	
Dimensions (L x H x B)	83 x 12 x 26 mm
Weight	~ 40 g



OPTIONS

- > Power Supply
 - Input Voltage
 - Inline via DC Pass
 - P110 – Transformer
 - P220 – Transformer
 - P240 – Transformer
 - Tinned leads (5 – 28 V max.)
 - PM, MS – Military Connector (5 - 28 V max.)
 - Output Voltage
 - Inline Voltage, 3.3, 5, 7.5, 9, 12, variable (3-12 V),
 - XX (custom)

Note: Power Supply via transformer is only available for standard housing. Tiny and Mini Housing can only be supplied inline!

- > Housing
 - Standard
 - Mini
 - Tiny
- > RF connectors
 - N (m, f) -not on Tiny housing!
 - TNC (m, f) -not on Tiny housing!
 - SMA (m, f)
- > DC configuration on Input / Output port
 - DC Pass
 - DC Block

ORDERING INFORMATION

Contact AuCon GmbH for informations about price, delivery time and availability!

