

GPS Splitter 1 in 16 Rack Mount Splitter

Type: RMS116

Features:

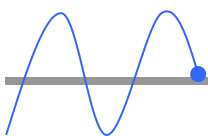
- Standard 19" Rack Mount Configuration
- Passes GPS L1/L2, GALILEO, GLONASS
- Numerous Options Available
- LED signal for operating status



Description:

The RMS116 Rack Mount Splitter is a one-input, sixteen-output GPS signal divider. This product typically finds application in a facility where an input from a single active GPS roof antenna is split evenly between eight outputs to create an indoor GPS signal distribution network. Typically the RMS116 is configured with an 110VAC input (230VAC also available) and a regulated DC output voltage is passed to the antenna input port in order to power an active GPS antenna on that port. In this scenario, the RF outputs (J1 - J8) would feature a 200 Ohm DC load to simulate an antenna DC current draw for any receiver connected to those ports. A Power -LED signal the operating condition of the device.

The RMS116 splitter comes with many available options to meet your specific needs. Please call, fax, or email us (vertrieb@aucon.de) for further information on product options or specifications.



GPS Splitter 1 in 16 Rack Mount Splitter

Type: RMS116

Electrical Specifications, Operating Temperature -40 – 85° C

Parameter	Conditions	Min	Typ	Max	Unit
Frequency Range	Ant – Any Port, Unused Ports - 50 Ω	1.2		1.6	GHz
In/Out Impedance	Ant, J1-J16		50		Ω
Gain	Ant – any Port, Unused Ports - 50 Ω				
-Amplified (Std.)		7	8	9	dB
-Amplified (Cust) ¹		1	TBD	14	
Input SWR	All Ports 50Ω			2.0:1	-
Output SWR	All Ports 50Ω			2.0:1	-
Noise Figure	Ant – any Port, Unused Ports - 50 Ω			3	dB
Gain Flatness	L1 - L2 , Ant – any Port, Unused Ports - 50 Ω			3	dB
Amp. Balance	J1 - J2 , Ant – any Port, Unused Ports - 50 Ω			0.5	dB
Phase Balance	Phase (J1 - J2), Ant – any Port, Unused Ports - 50 Ω			1.0	deg
Group Delay Flatness	$\tau_{d,max} - \tau_{d,min}$, Ant – any Port			1	ns
Isolation	Measured at 1227 MHz and 1575 MHz				
-Amplified (Hi Iso.)	adjacent Ports: Ant - 50Ω	24			dB
	opposite Ports: Ant - 50Ω	38			dB
AC IN	110	Wall Mount Transformer ⁽³⁾		110	VAC
	220/230	Wall Mount Transformer (Various Intl. Plug types available) ⁽³⁾		230	VAC
DC IN	DC Blk	Any DC blocked Port with a 200 Ω Load		14	VDC
	Pass DC -amplified	Non powered Configuration, DC Input on J1		3	16
	Powered	Powered, Mil. Conn. or Quick Connector		3 ⁽²⁾	28 ⁽²⁾
Device Current	Current Consumption of device, excludes Ant.			48	mA
Output Current	Input Port			100 ⁽³⁾	mA
Max RF Input -amplified	Max RF input without damage			0	dBm

Notes:

1. Custom gain options available
2. DC IN for powered option must be 2V greater than desired DC Voltage OUT
3. Maximum combined DC current draw out all ports of the device is a function of the DC input voltage and desired DC output voltage, according to the following:

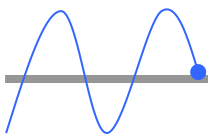
$$I_{out} \leq 1.4 / (V_{DC IN} - V_{DC OUT}) - 0.016 \text{ Amps}$$

For powered option a wall mount transformer (Voltage Input = 110/220/240 VAC), VDC IN is 9V.

4. With variable gain option, gain flatness is 5

S. 2 RMS116-31020151 [Do you have questions to this product? Contact us:](#)

AuCon GmbH
www.aucon.de / info@aucon.de
Hohenlindener Str. 1 / D-81677 München
Phone: +49 (0)89-910 598 68
Fax: +49 (0)89-910 599 26

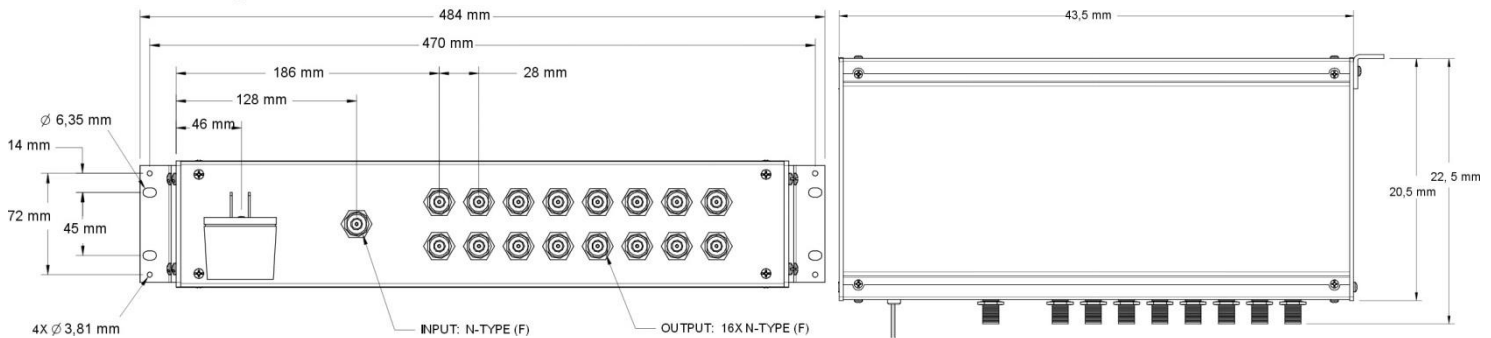
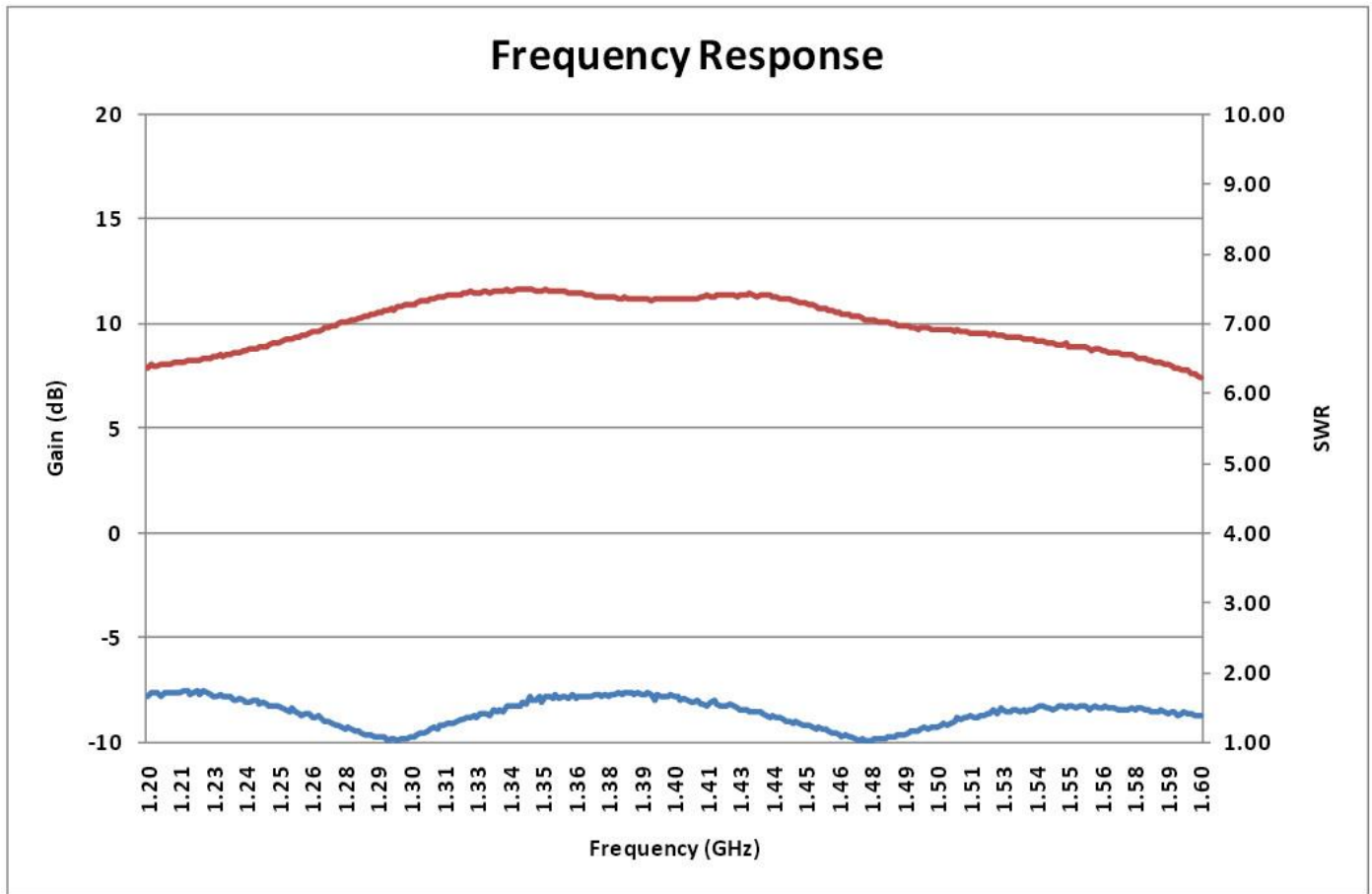


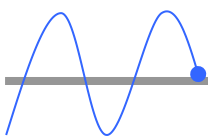
GPS Splitter 1 in 16 Rack Mount Splitter

Type: RMS116

Performance Data & Product Drawing:

RMS116 Active - Hi Isolation





GPS Splitter 1 in 16 Rack Mount Splitter

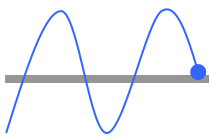
Type: RMS116

Available Options:

Power Supply Options:		
Source Voltage Options	Input Volt	Typ
	110 VAC	Wall Mount Transformer
	230 VAC	Wall Mount Transformer
	240 VAC (U.K.)	Wall Mount Transformer
	DC 5-28 VDC	Military Style Connect or w/leads
Output Voltage Options (1)	DC Volt Output	
	3.3	
	5	
	7.5	
	9	
	12	
	Variable (3-12V)	
	Custom	
RF Connector Options:		
Connector Options	Connector Typ	Limitations
	N (Male & Female)	
	SMA (Male & Female)	
	TNC (Male & Female)	
	BNC (Male & Female)	Performance Not Guaranteed
Housing Options:		
Housings	Housing Type	Limitations
	19 x 8 x 3.5 in Rack Mount	None
Port Options:		
DC Blocked(1)	J2 – J8 are DC blocked & 200Ω loaded, DC is passed J1 to ANT	

Notes:

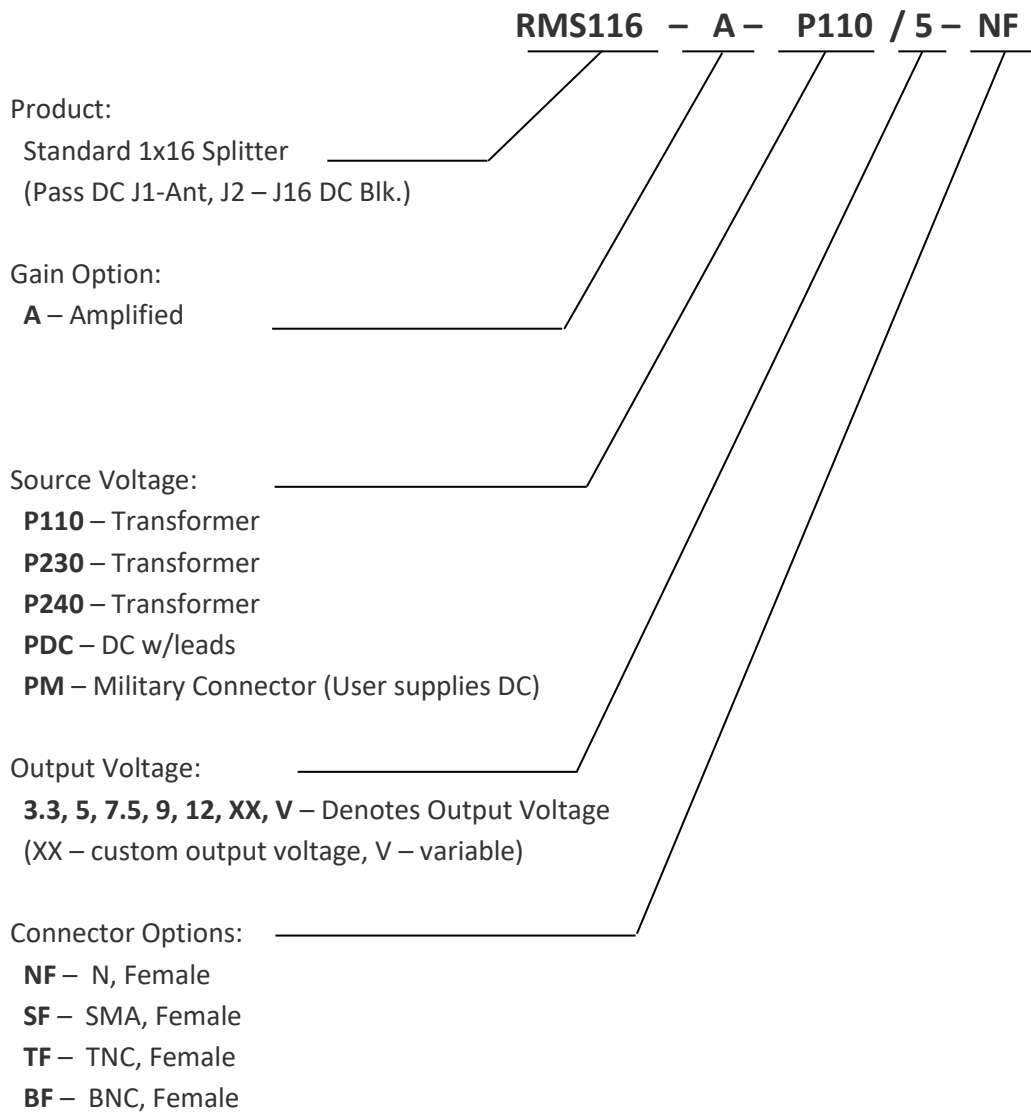
1. RF Outputs are DC Blocked standard. Call for specific pass DC configurations



GPS Splitter 1 in 16 Rack Mount Splitter

Type: RMS116

Structure of Part Number:



For help in creating the part number to meet your exact needs, call us or contact us at vertrieb@aucon.de.