

## Mounting options

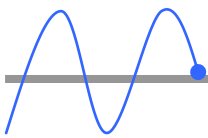
### HA-5-H pole mount



### Description:

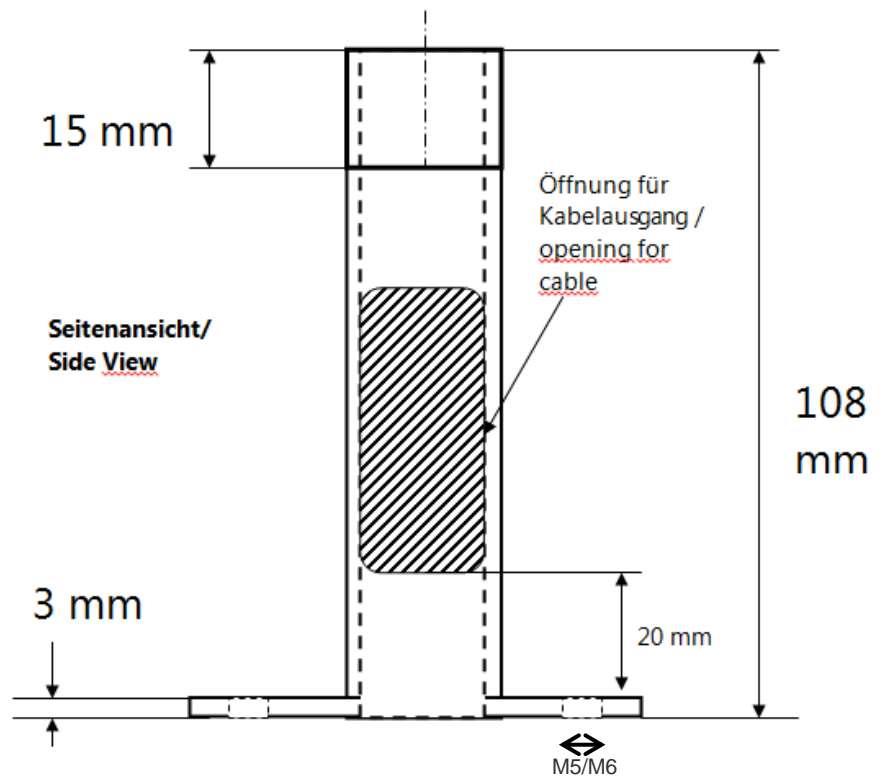
Option for mounting antennas on a pole if there is no installation surface for an antenna socket or a pole is already installed. For 40mm and 50mm shells.

Antennas:	3G, G5Ant
Connector types / position:	TNC, SMA, N
Weight:	170g ( 480g with shells)
Material:	Black anodized aluminium
Dimensions (mm):	100 (H) x 100 (B) x 100 (T)



# Mounting options

## Antenna socket



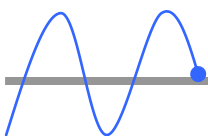
### Features:

- High quality stainless steel
- Mounting via screw connection
- Cable outlet at bottom side or sideways
- Base mount for antenna specific mounting options

### Description:

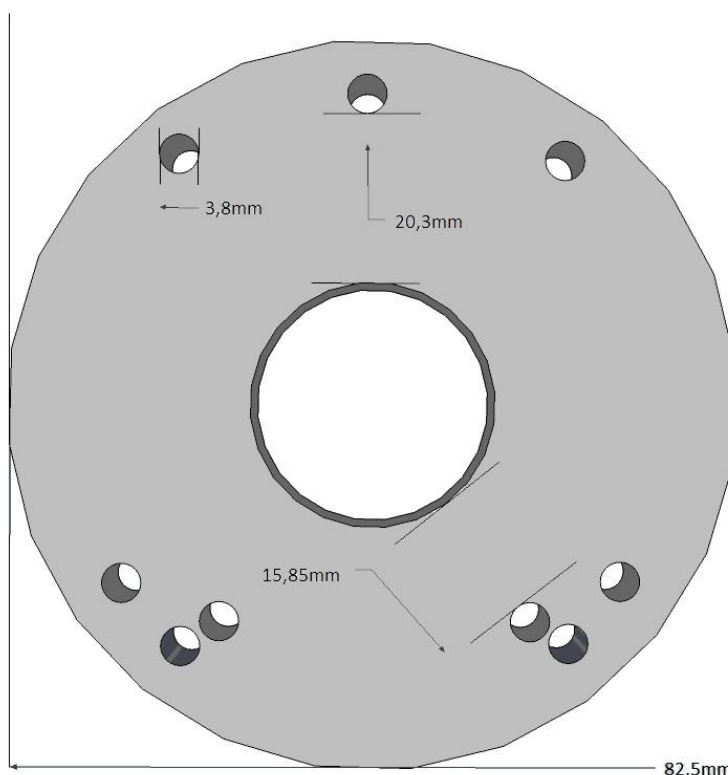
Mounting solution made from stainless steel for installation on flat surfaces like roofs. Compatible antennas can be mounted directly on the thread. More antennas can be mounted if using the MTR-01 modification (page 2).

Antennas:	AS 200, DS56, 3G + G5Ant (via MTR-01)
Connector types / position:	TNC, SMA, N (cable outlet only bottom side!)
Weight:	170g
Material:	Stainless steel
Dimensions (mm):	106 (H) x 73,2 (B) x 73,2 (T)



## Mounting options

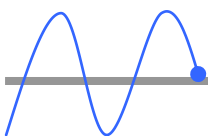
### MTR-01 modification



### Description:

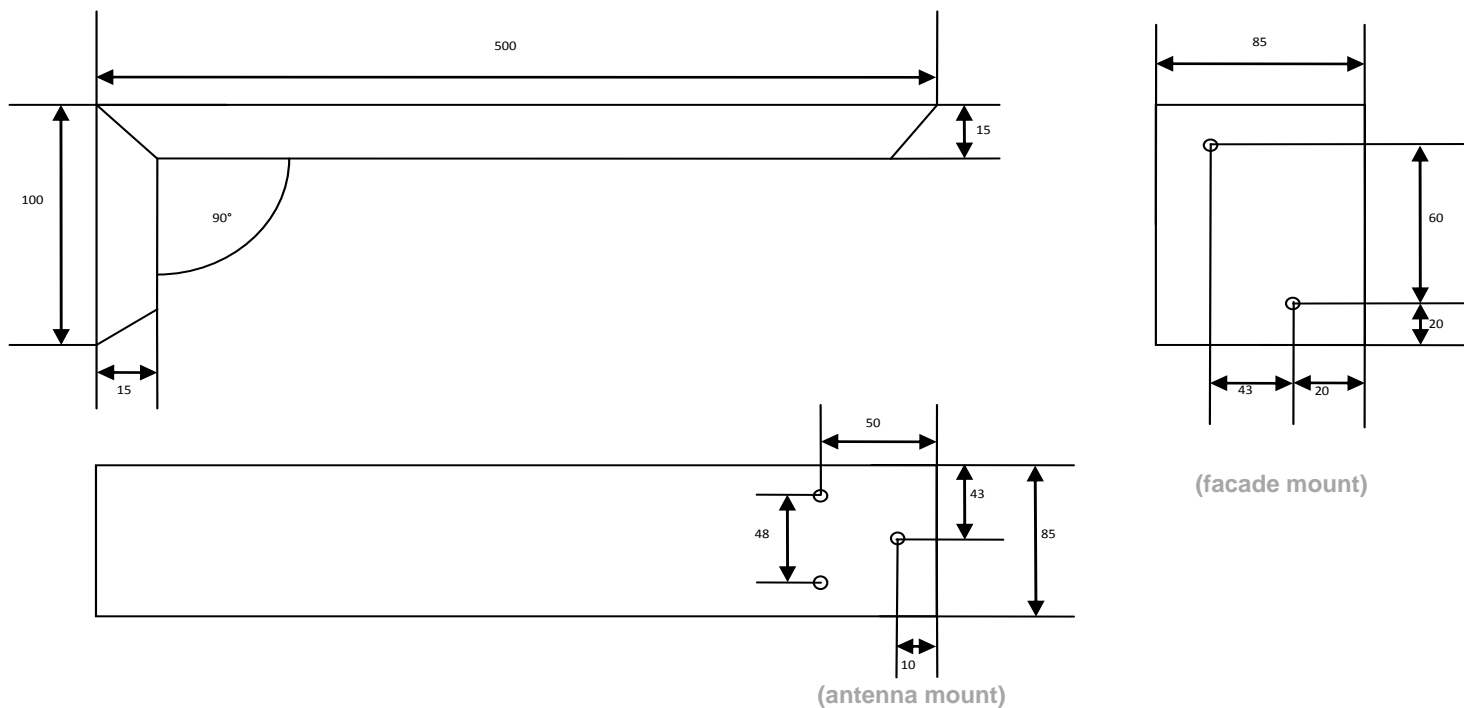
If using the MTR-01 modification, nearly every antenna from Antcom can be mounted on the antenna socket. Antennas with connector bottom side (center) or sideways can be used. The antenna is fixed by inch screws which are included in the shipment

Antennas:	3G, G5Ant
Connector types / position:	TNC, SMA, N (cable outlet only bottom side!)
Total weight:	335g
Material:	Black anodized aluminium
Dimensions (mm):	13,1 (H) x 82,5 (B) x 82,5 (T)



## Mounting options

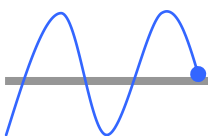
### HA-2-A antenna facade mount



### Description:

HA-2-A is a weatherproofed façade mount for antennas with antenna socket.. Due to the distance between antenna and facade (nearly 50cm) the antenna radius can be increased effectively. The mounting is made from stainless steel and the weights 980g.





## Mounting options

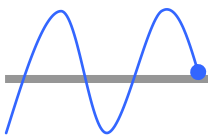
### MTR-02 pole mount



### Description:

Option for mounting antennas on a pole if there is no installation surface for an antenna socket or a pole is already installed.

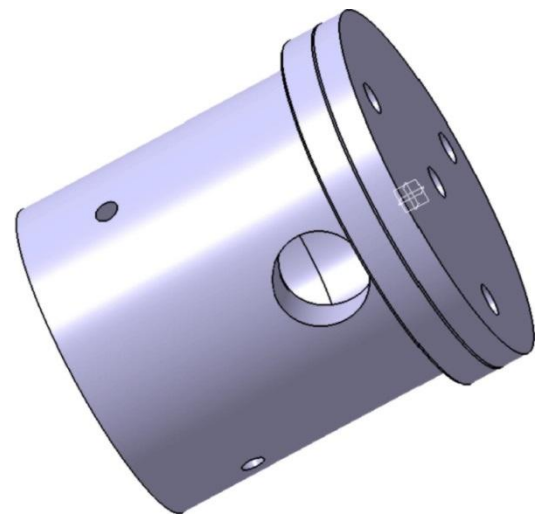
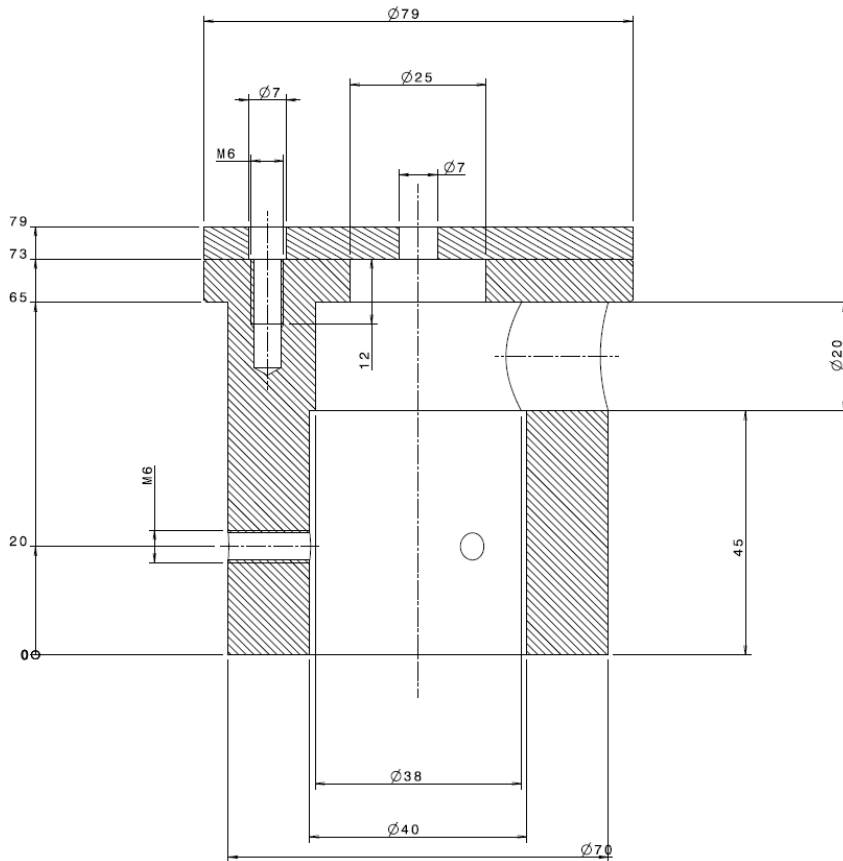
Antennas:	3G, G5Ant
Connector types:	TNC, SMA, N
Total Weight:	335g
Material:	Stainless steel and anodized steel
Dimensions (mm):	93,7 (H) x 78+55 (B) x 89 (T)



# Mounting options

## HA-4-A pole mount

Schnitt A-A  
Maßstab: 2:1



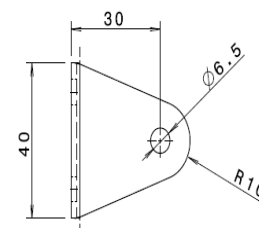
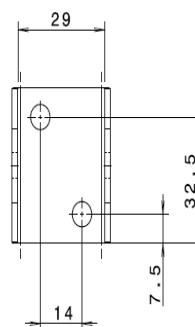
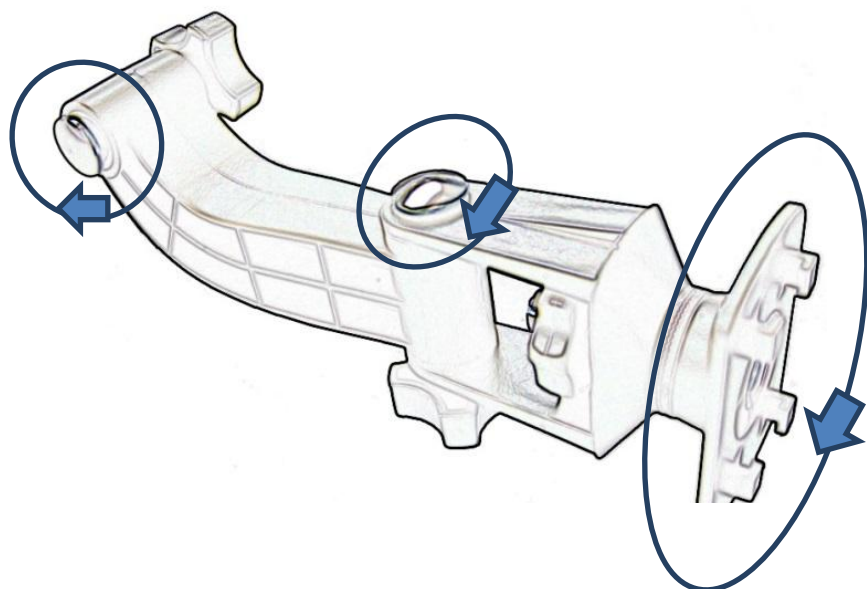
### Description:

HA-4-A is a weatherproofed mounting solutions for on the top of a pole.  
The pole mount is fixed via three headless screws which are included in the shipment.

For antennas:	AS200, Choke ring 123G
Connector position:	sidwards
Weight:	HA-4-A: 550g
Material:	Aluminium magnesium

## Mounting options

### HA-1-R repeater mount



### Description:

HA-1-R is a solution for repeater mounting on facades, walls or ceilings.

The repeater mount can be turned around in three directions (3D). It is possible to adjust the repeaters radiation angle for optimal signal distribution within the area.

Repeater:	AS47
Total weight:	100g
Material:	Aluminium + synthetics